



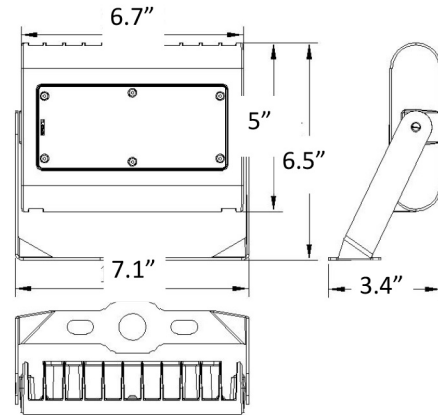
Fixture is prewired with 16/3 SO cord



LF series floods are prewired with 18" cord (18/3 SJTW) and compression fitting

DIMENSIONS:

7.1" x 6.5" x 3.4"



LF3-30CW-TR
LF3-30WW-TR

LED Flood Lights 3 Series With Trunnion

Ideal for general site lighting, alleys, loading docks, doorways, pathway, parking areas. Replace existing HID flood lights/wall packs. Great for use with motion sensors or other instant on/off controls. Solid state lighting technology for long life, low maintenance and high efficiency.

ELECTRICAL SPECIFICATIONS:

- Voltage: 120-277VAC 50/60Hz
- Wattage: 30W
- Input current: 0.35A Max.
- Other wattages: 50W
- Power factor: PF≥0.90
- Output voltage: 38-66VDC
- Output current: 0.5A
- Driver efficiency: 88%

HOUSING SPECIFICATIONS:

- Die-cast aluminum with powder coat finish (Dark Bronze)
- Operating temperature: -30 —+40 °C
- Lifespan: 50000Hrs.
- IP rating: IP65, Wet Locations
- 100% dip-tested under load
- Main Structure: aluminum + Optical Lens
- Storage temperature humidity: -40 —+80°C , 10—90% RH

CERTIFICATIONS: UL, DLC



MODEL	WATTS	VOLTAGE	LUMENS	COLOR TEMP
LF3-30CW-TR	30W	100~277V AC	3000 LM	5000K
LF3-30WW-TR	30W	100~277V AC	2900 LM	3000K

LIGHTING SPECIFICATIONS:

- Not dimmable
- LED type/brand: SMD 3030/ Lumileds LEDs
- Total lumens: 25684lm and 21578lm
- Color temperature: 3000K / 4000K / 5000K / 5700K
- Color rendering index: >80
- Beam angle: 120x90°
- Luminance: 2,899 Lm (DLC)
- Luminous Efficiency: 98 Lm/W (DLC)
- LED quantity: 36 PCS
- LED efficacy: 120Lm/W

SAFETY & EMC:

- Safety norms: UL1598, UL8750, EN60598, EN61347-2-13, EN62031, EN62471
- Withstand voltage: I/P-FG: 2121VDC
- Grounding resistance: ≤0.5Ω,0K
- Electromagnetic compatibility: EN55015, EN61000-2-3, EN61000-3-3, EN61547
- Net weight: 30.8lbs
- Gross weight: 33lbs
- Packing size: YK inner box: L200*W55*H215 mm
master carton: L415*W295*H235 mm
KN inner box: L180*W55*H235 mm
master carton: L375*W295*H255 mm
- Quantity / Carton: 10pcs

WARRANTY: 7 years

